



Innovative ideas,  
inspired living

Interior

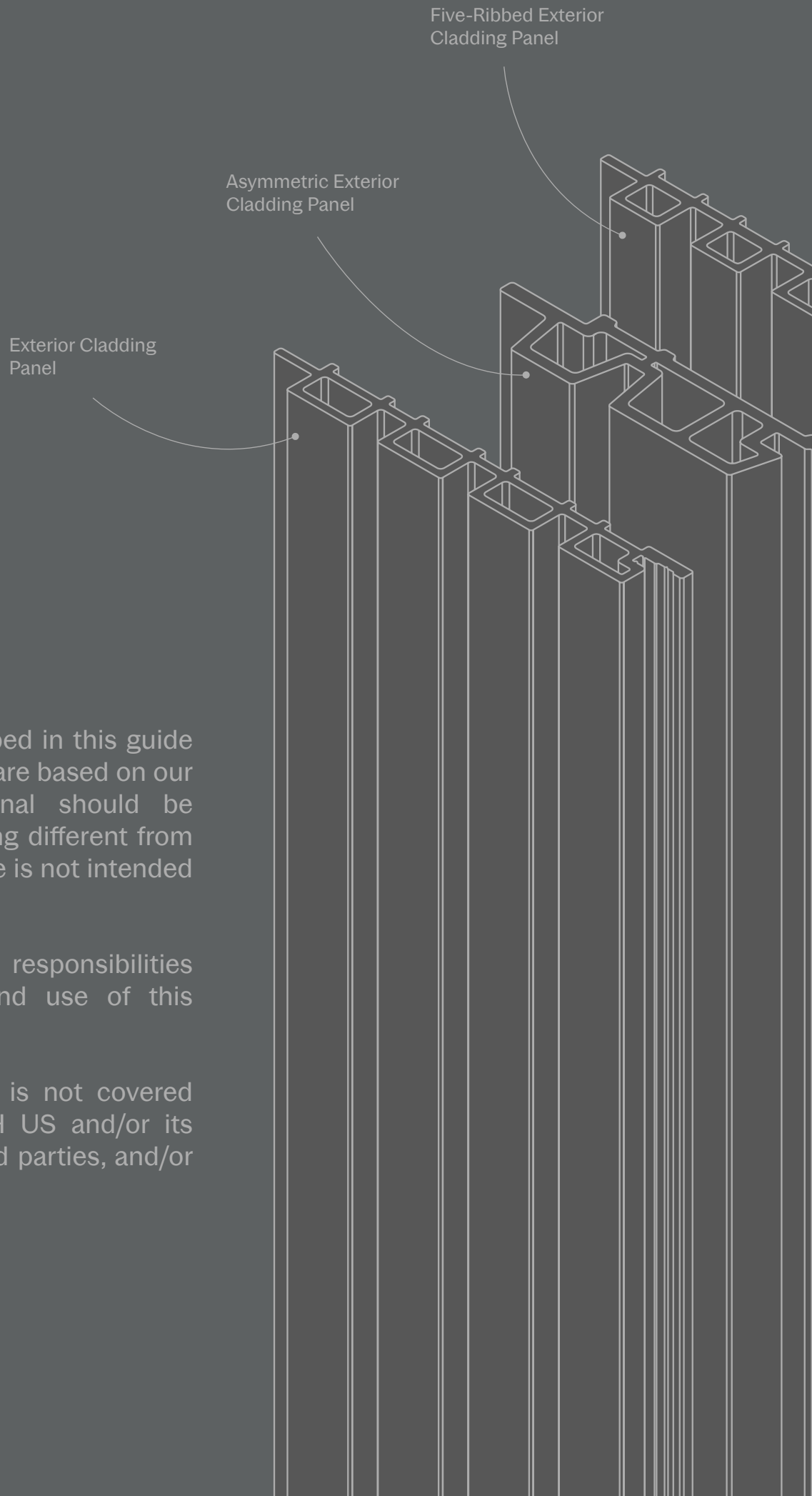
---

## Installation Guide:

Co-Extruded Exterior Cladding – Five-Ribbed Co-Extruded Exterior Cladding – Extruded Exterior Cladding – Asymmetric Co-Extruded Cladding.

---

# Tools & Materials

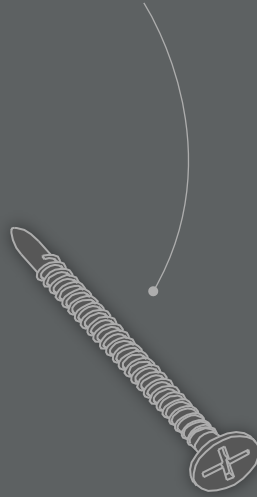


The diagrams and instructions described in this guide are for illustrative purposes only. They are based on our recommendations, and a professional should be consulted before installation if anything different from what is shown is required, as this guide is not intended to replace professional advice.

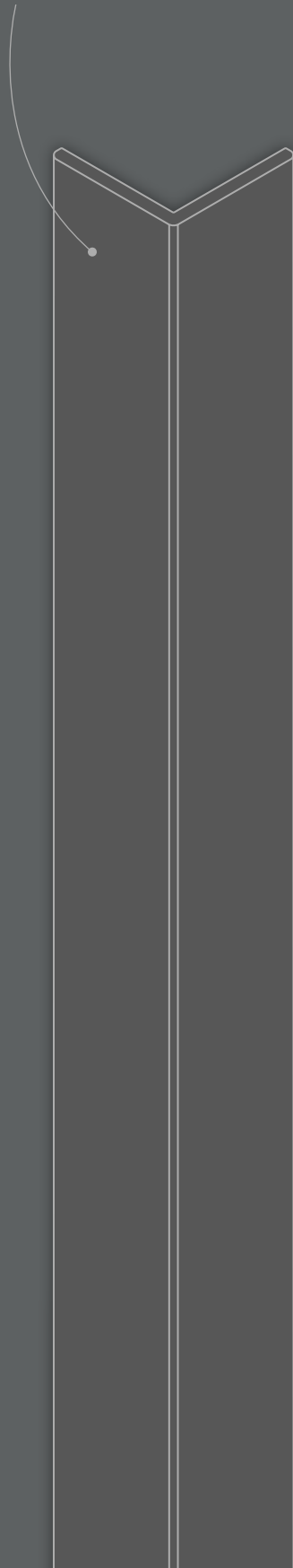
The consumer assumes all risks and responsibilities associated with the construction and use of this product.

Material damaged during installation is not covered under the warranties of SARO TECH US and/or its subsidiaries, parent companies, related parties, and/or affiliates

Fasteners



Laminated Interior  
Corner Trim



Tape Measure



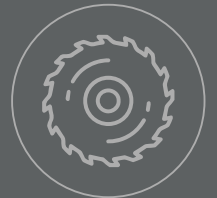
Metal Carpenter  
Square



Level



Cutting Tool



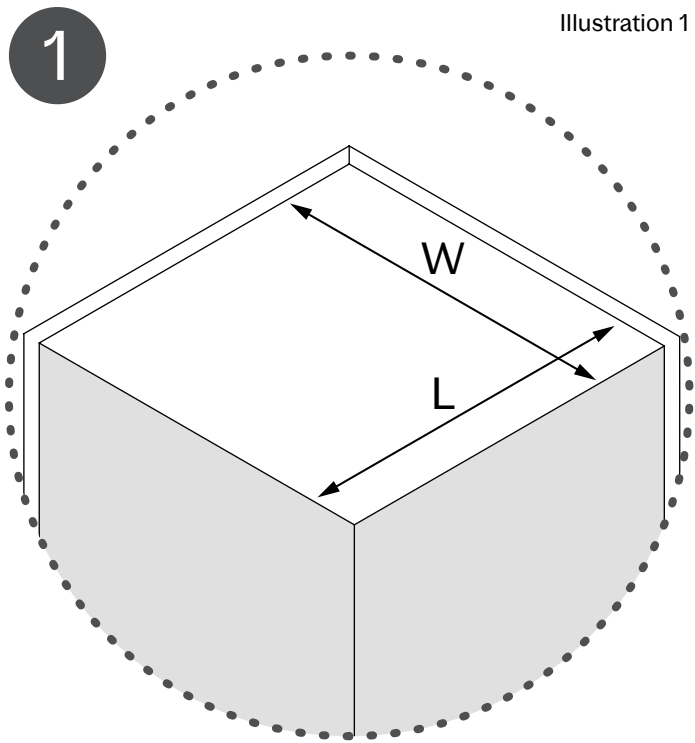
Pencil



Taladro



Illustration 1



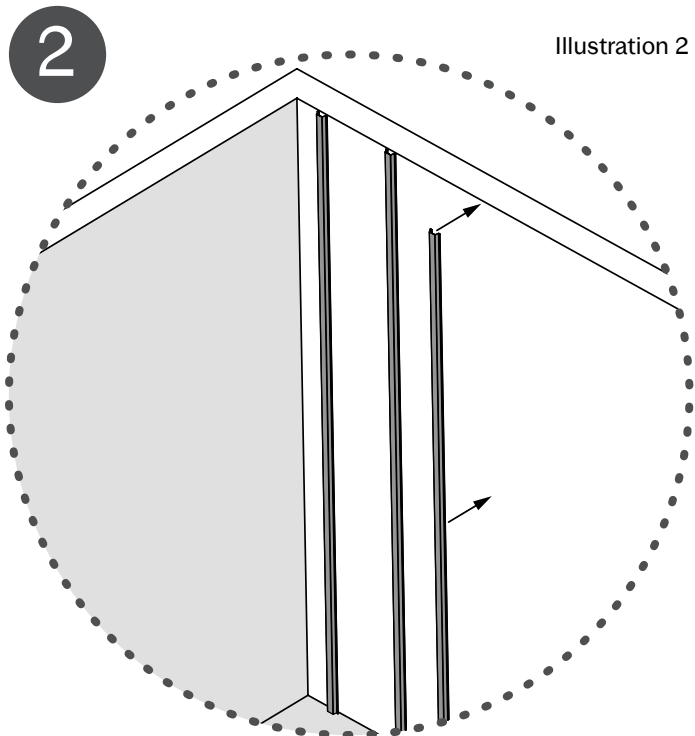
### 1. PREPARE THE WORK AREA

Prepare your work area. Ensure the surface is flat, level, stable, and free of debris that could interfere with proper installation of the material.

Tools



Illustration 2

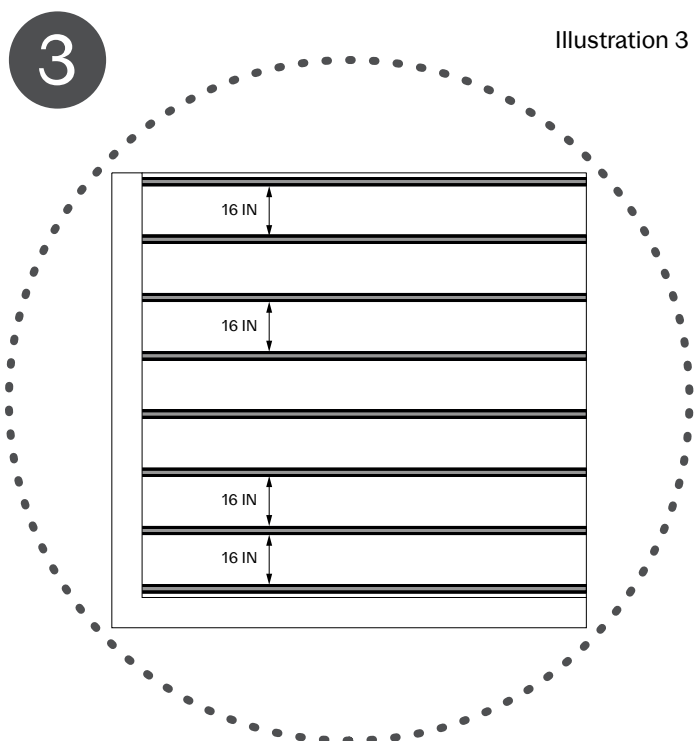


### 2. MEASURE THE WORK AREA

Measure the lengths of the area where the Exterior Cladding will be installed and, based on the square meters, calculate the number of pieces required to cover the area (Illustration 2).

Exterior Cladding can be installed directly on a surface or on an aluminum or metal frame.

Illustration 3



### 3. INSTALAR EL BASTIDOR

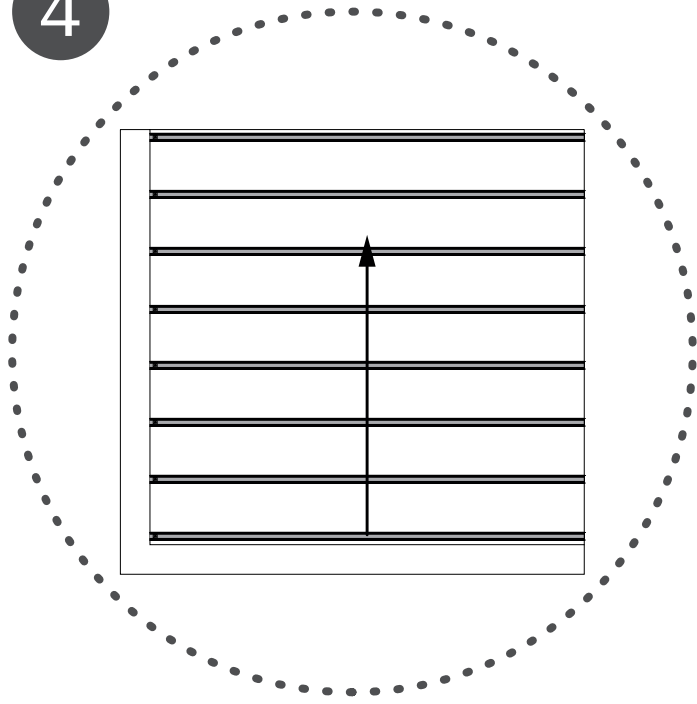
Build a frame using furring channel profiles. The profiles should be spaced 14–16 inches apart and positioned perpendicular to the direction of the cladding panel installation (Illustrations 2 & 3).

Tools



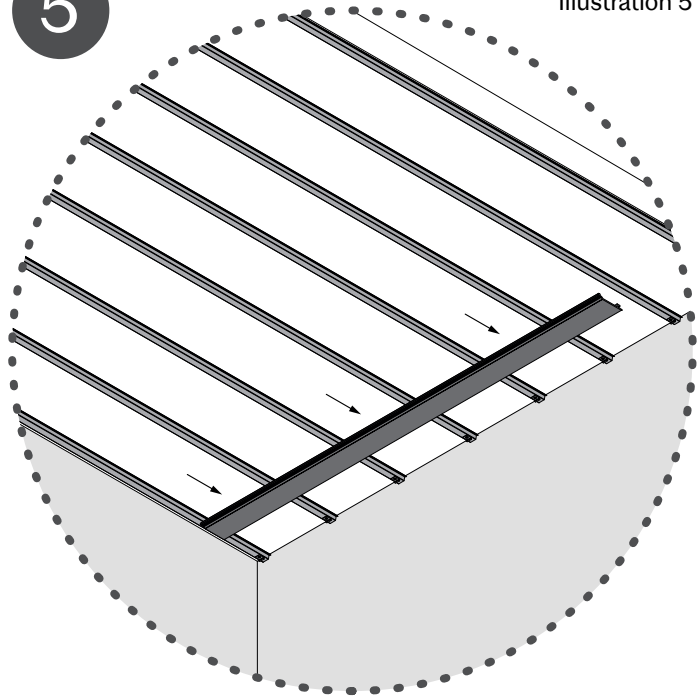
4

Illustration 4



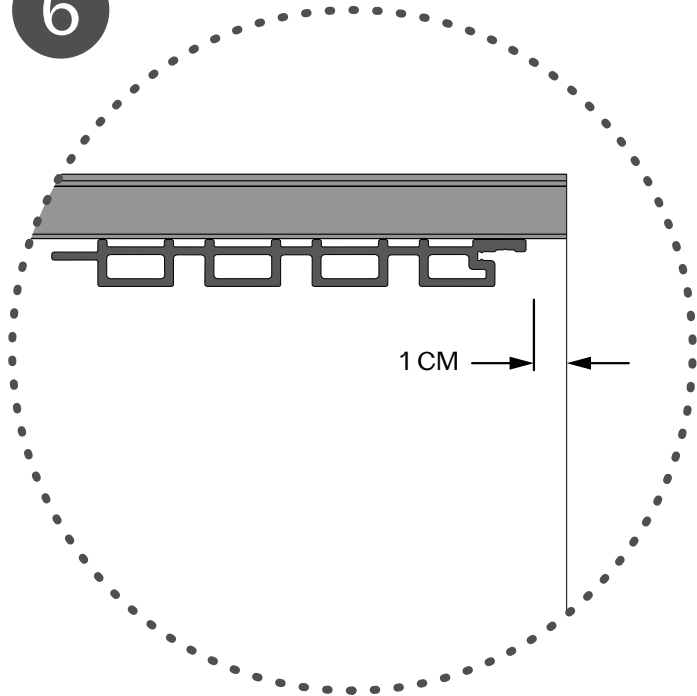
5

Illustration 5



6

Illustration 6



#### 4. INSTALL THE FIRST PANEL

Place the first exterior cladding panel perpendicular to the direction of the furring channel profiles (Illustrations 4 & 5).

Tools



5. Install the first panel and ensure there is a minimum 1 centimeter gap between the wall and the panel to prevent movement if the material expands or contracts.

6. Secure the panel to the furring channel with screws through the panel's side flange, as shown in illustration 7.

Tools



Repeat step 6 to finish securing the first panel to each furring channel profile (Illustrations 7 & 8).

Tools



## 7. MEASURE AND ADJUST THE MATERIAL

Using a tape measure or your preferred measuring tool, measure the length required for the next panel to be installed.

Tools



Illustration 7

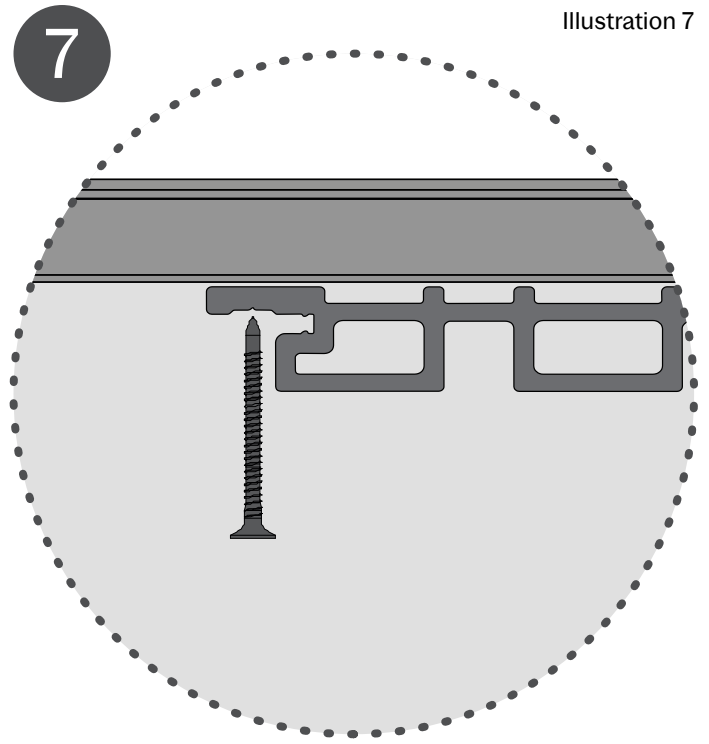


Illustration 8

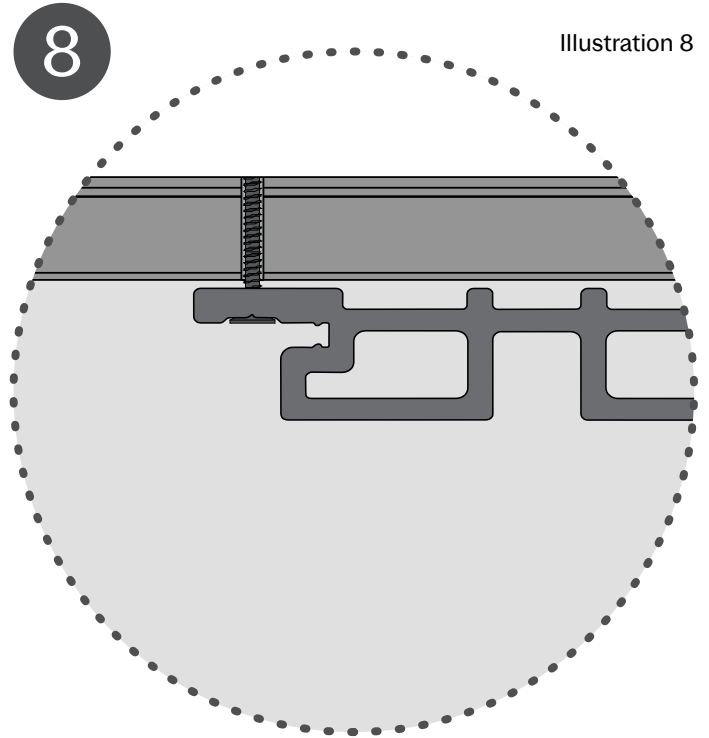
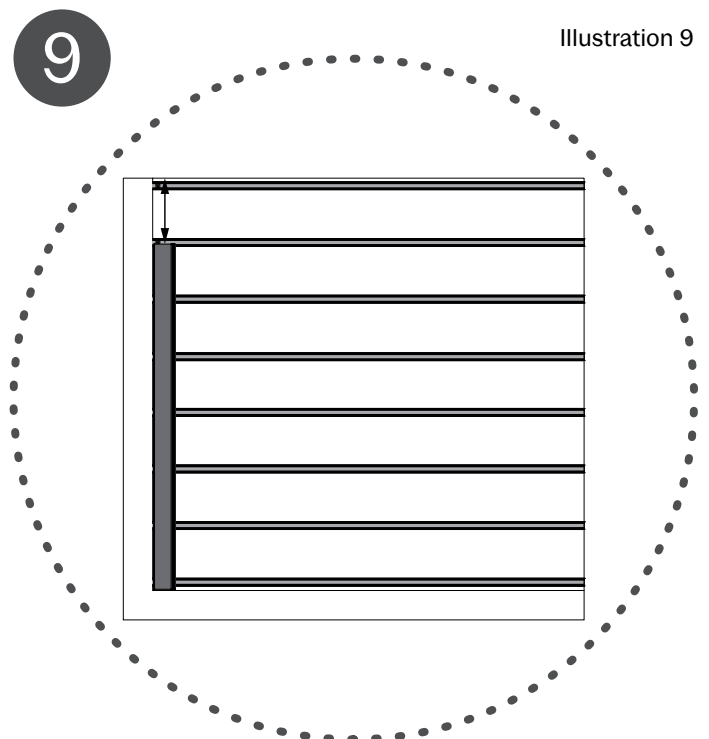
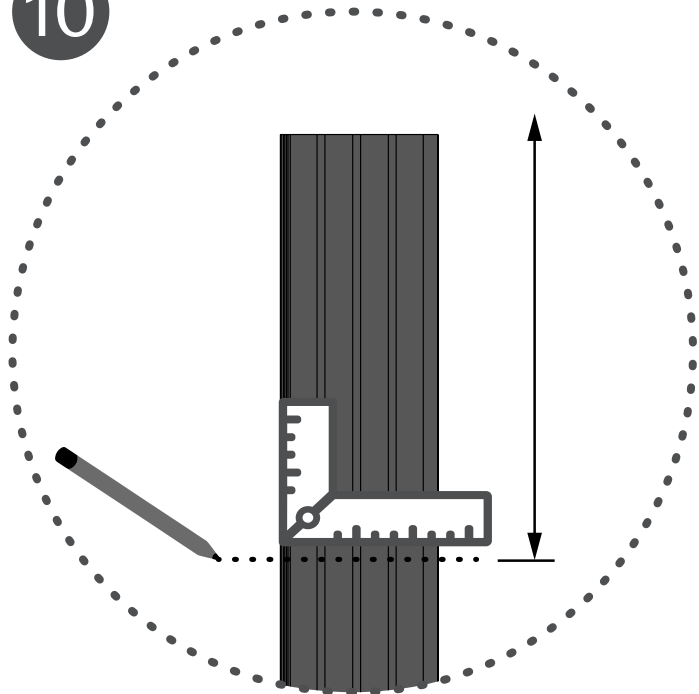


Illustration 9



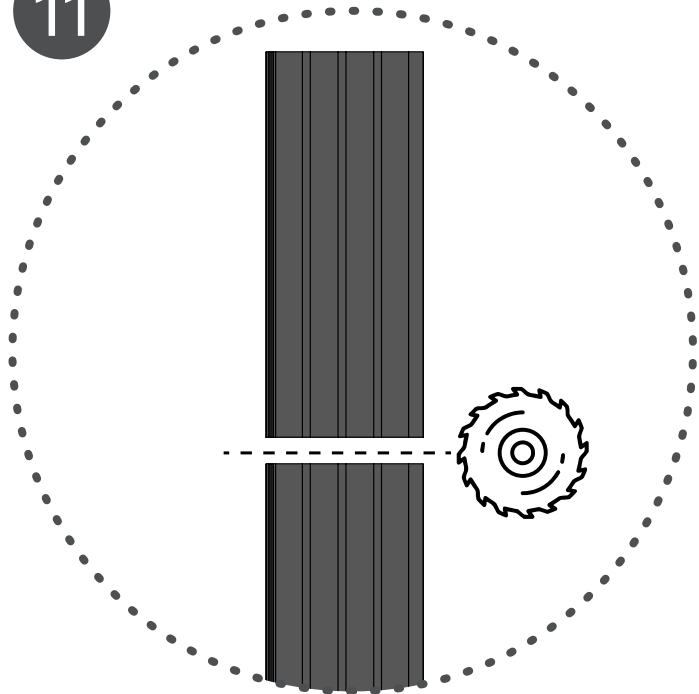
10

Illustration 10



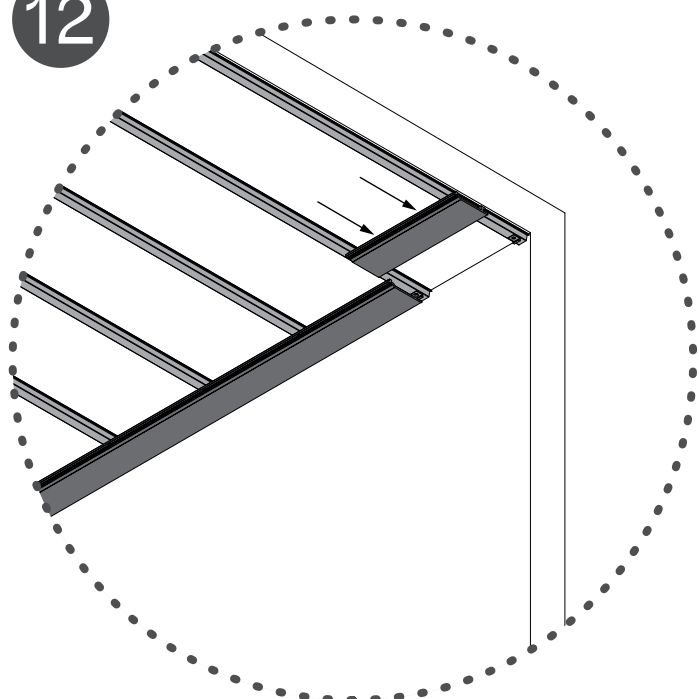
11

Illustration 11



12

Illustration 12



8. Based on the measurements taken, mark the required length for the next panel to be installed.

You can use a pencil and a square to draw a guide line indicating where to make the cut (Illustration 10).

Tools



9. Cut the material to adjust its length according to the measurements taken.

Recommended Cutting Tools:

- Wood Cutting Blade (75–100 Teeth)
- Hand Router

Not Recommended Cutting Tools:

- Hand Saw
- Hacksaw

Tools



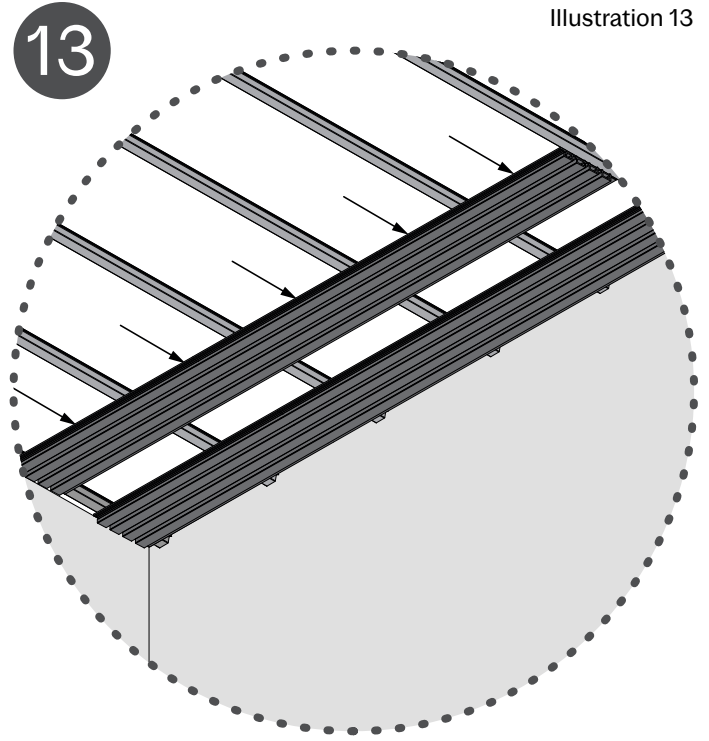
10. Repeat steps 6 and 7 to install the panel.

Tools



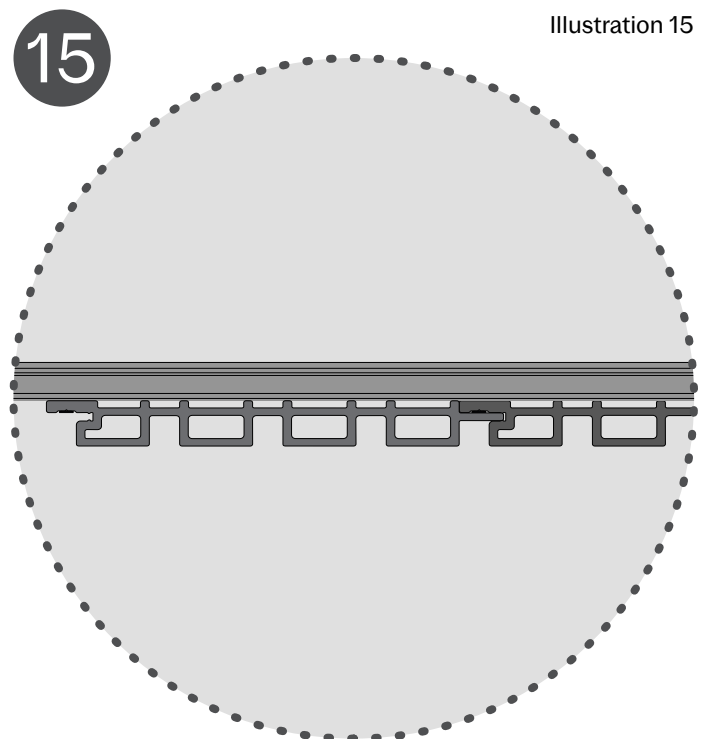
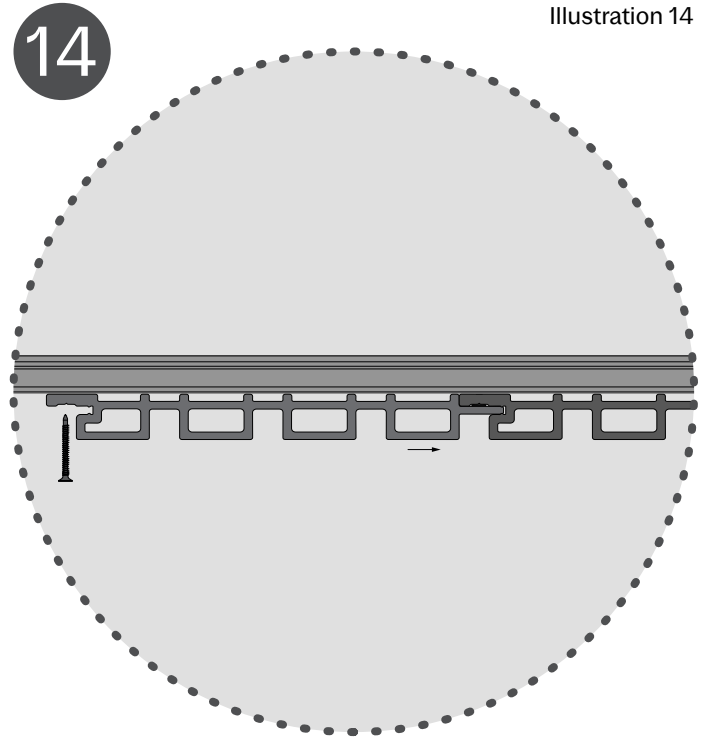
**11. FIRST PANEL IN THE SECOND ROW**

Place the next exterior cladding panel by fitting the rear flange into the side flange of the previously installed panel (Illustration 13).



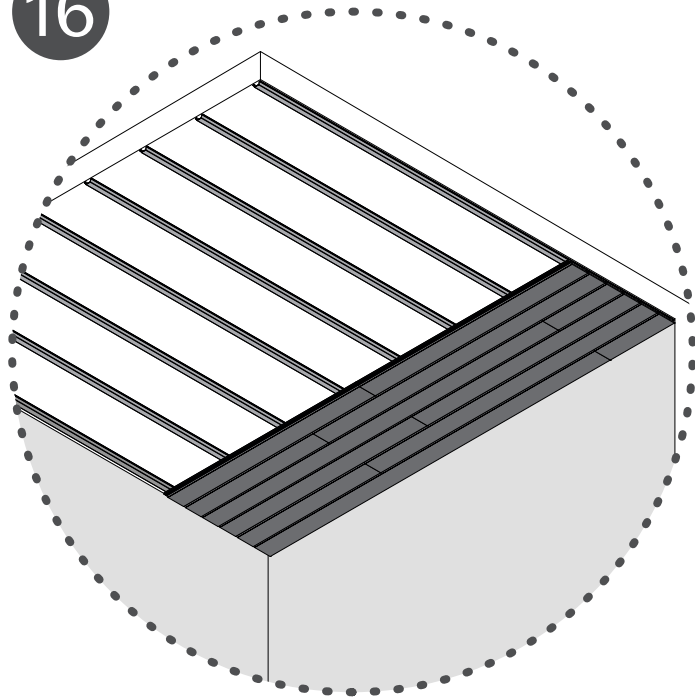
**12.** Secure the panel to each furring channel with screws through the panel's side flange, as done in step 6 (Illustrations 7 & 8).

Tools



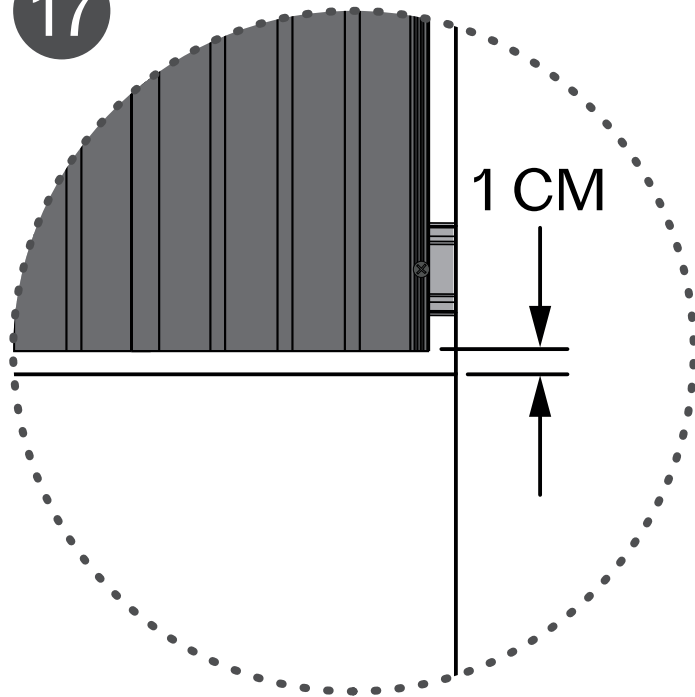
16

Illustration 16



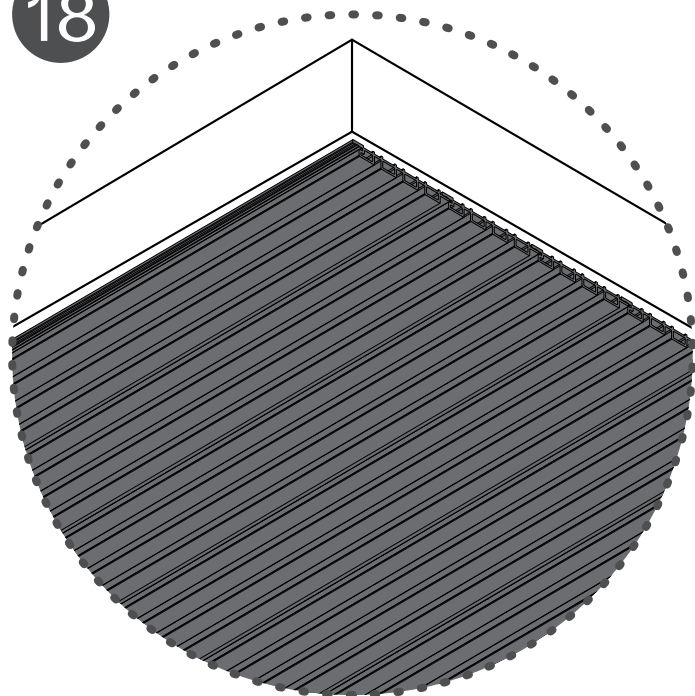
17

Illustration 17



18

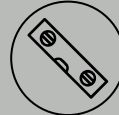
Illustration 18



- 13. Continue installing the remaining panels by repeating steps 12 and 13.

Before securing the last panel, ensure there is a 1 centimeter gap between the wall and the material to prevent the panels from shifting if the material expands or contracts.

Tools



#### 14. COVER THE EDGES

Once the exterior cladding panels have been installed, place the exterior corner trim to cover the edges or finished ends of the material (Illustrations 18 & 19).

15. Using a tape measure, measure the length of the area where the exterior corner trim will be installed.

\*Note that one coextruded corner trim covers 9.5 linear feet, and one extruded corner trim covers 7.9 linear feet.\*

Tools



19

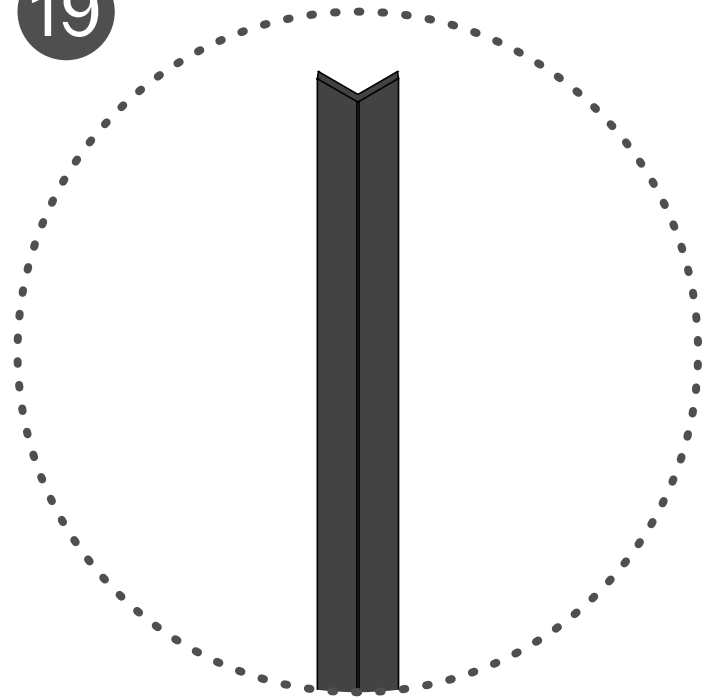


Illustration 19

20

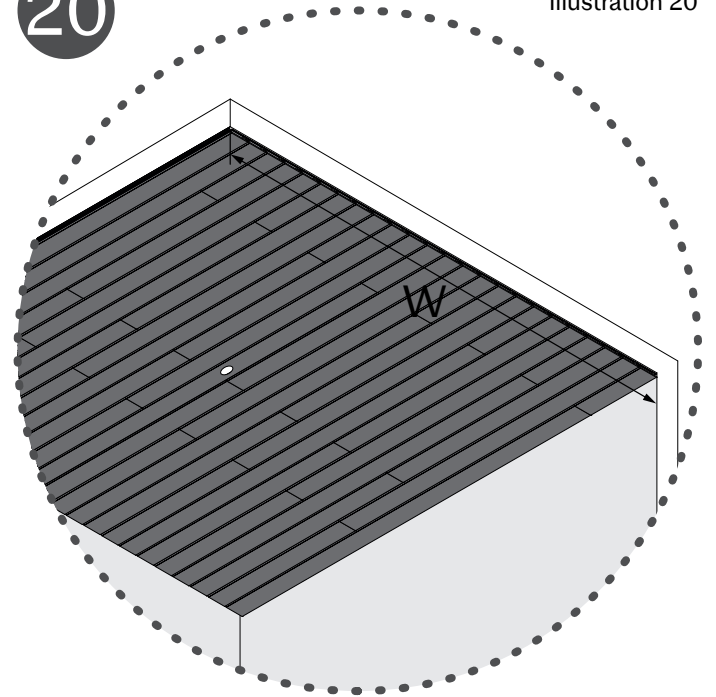


Illustration 20

## 16. INSTALL THE CORNER TRIM

Place the corner trim over the edge of the material you want to cover and secure it with a screw (Illustrations 21 & 22).

Tools



21

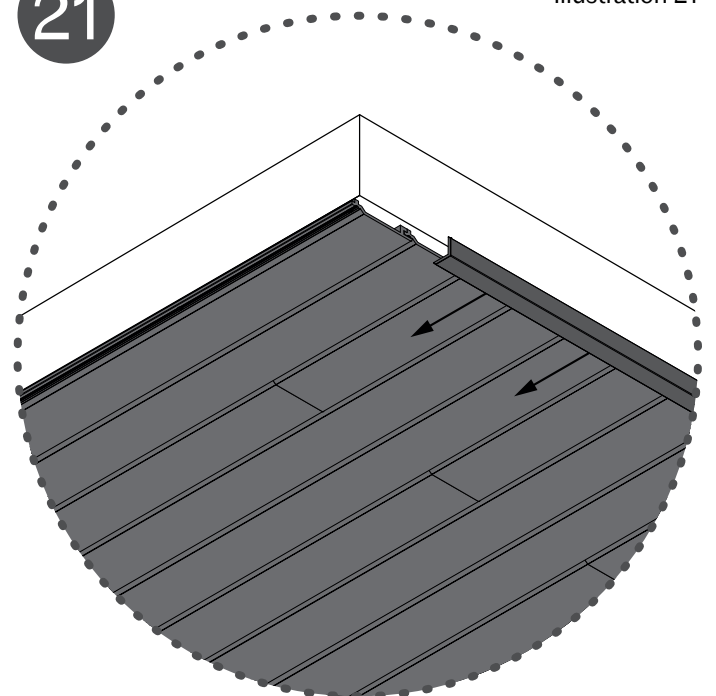
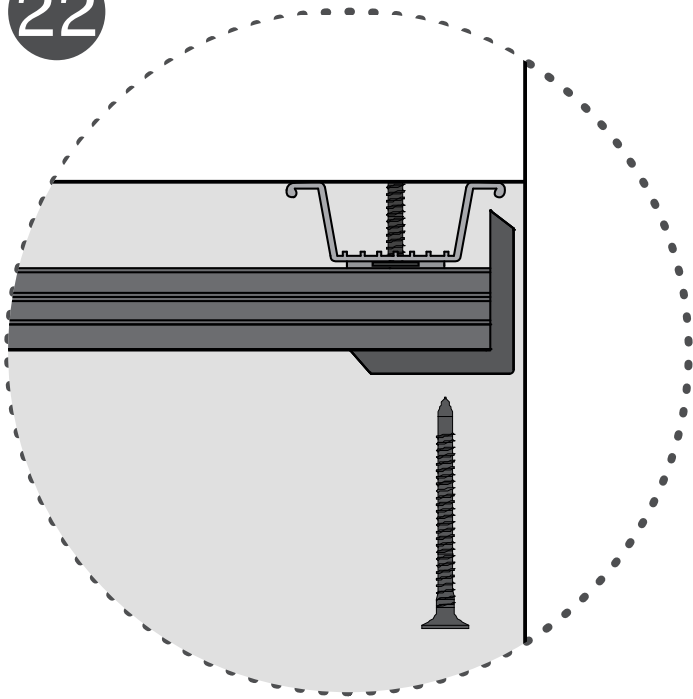


Illustration 21

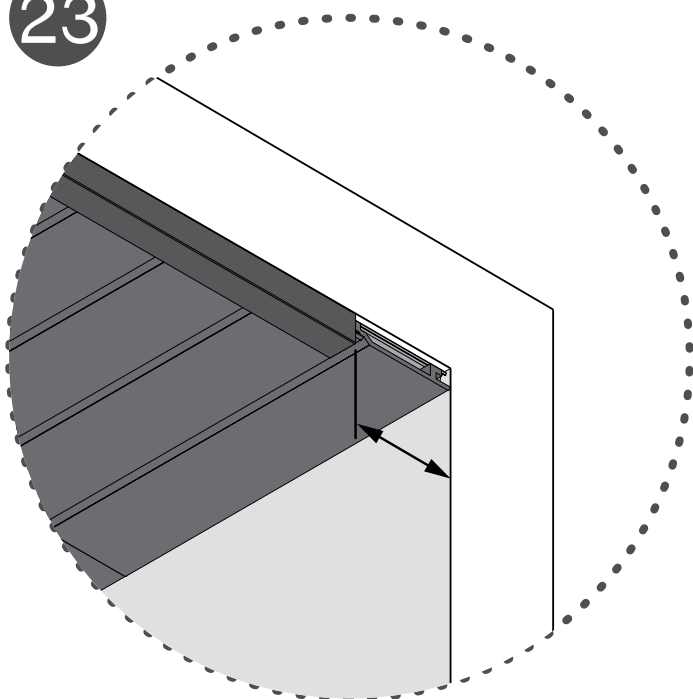
22

Illustration 22



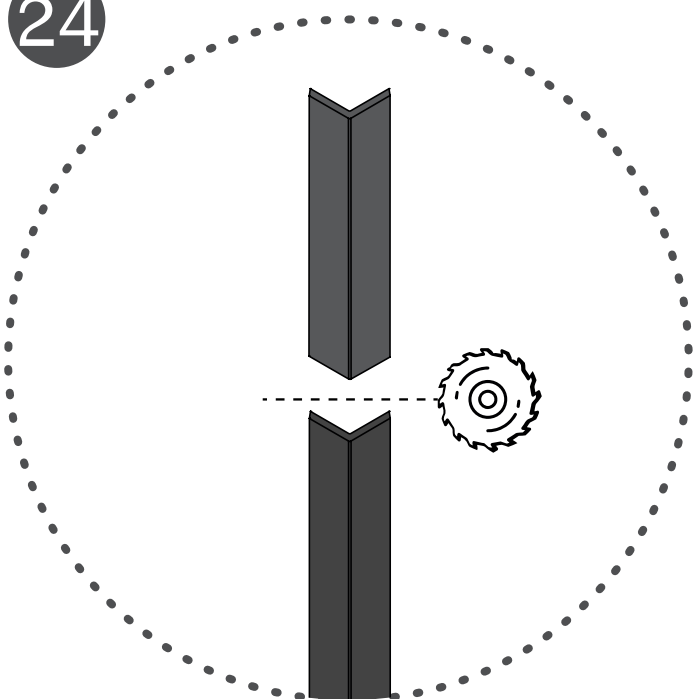
23

Illustration 23



24

Illustration 24



- 17. Measure the length required for the next piece to be installed.

You can use a pencil to mark a guide on the piece indicating where to make the cut.

Tools



- 18. Cut the material to adjust its length according to the measurements taken.

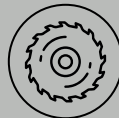
Recommended Cutting Tools:

- Wood Cutting Blade (75–100 Teeth)
- Hand Router

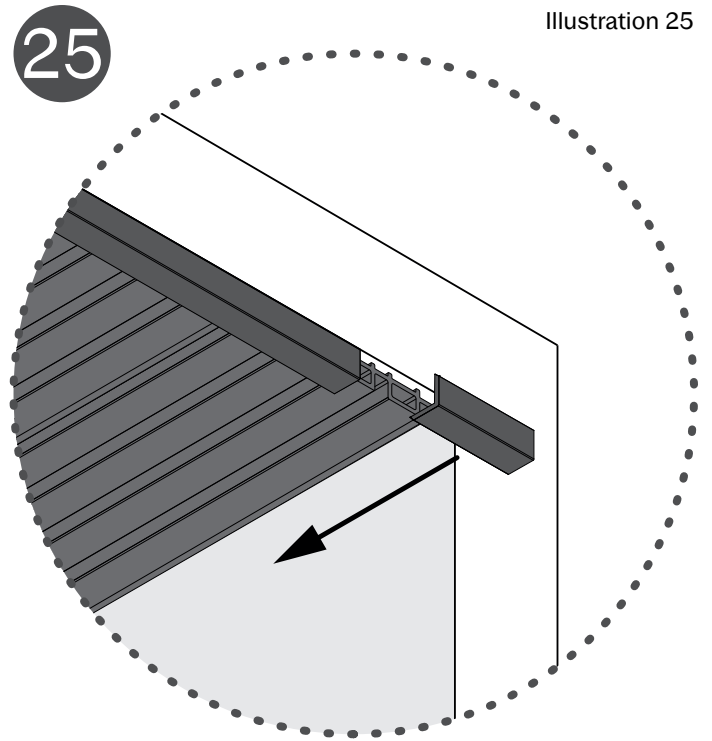
Not Recommended Cutting Tools:

- Hand Saw
- Hacksaw

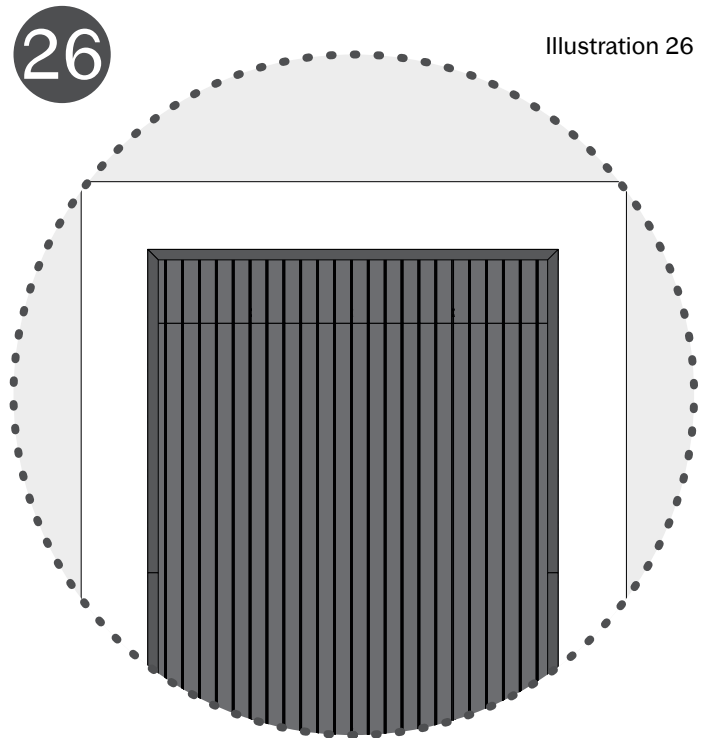
Tools



19. Repeat step 16 to secure the piece over the edge of the material you want to cover.



20. Repeat steps 17, 18, and 19 to secure the remaining pieces over the areas of the material you want to cover.





SARO  TECH